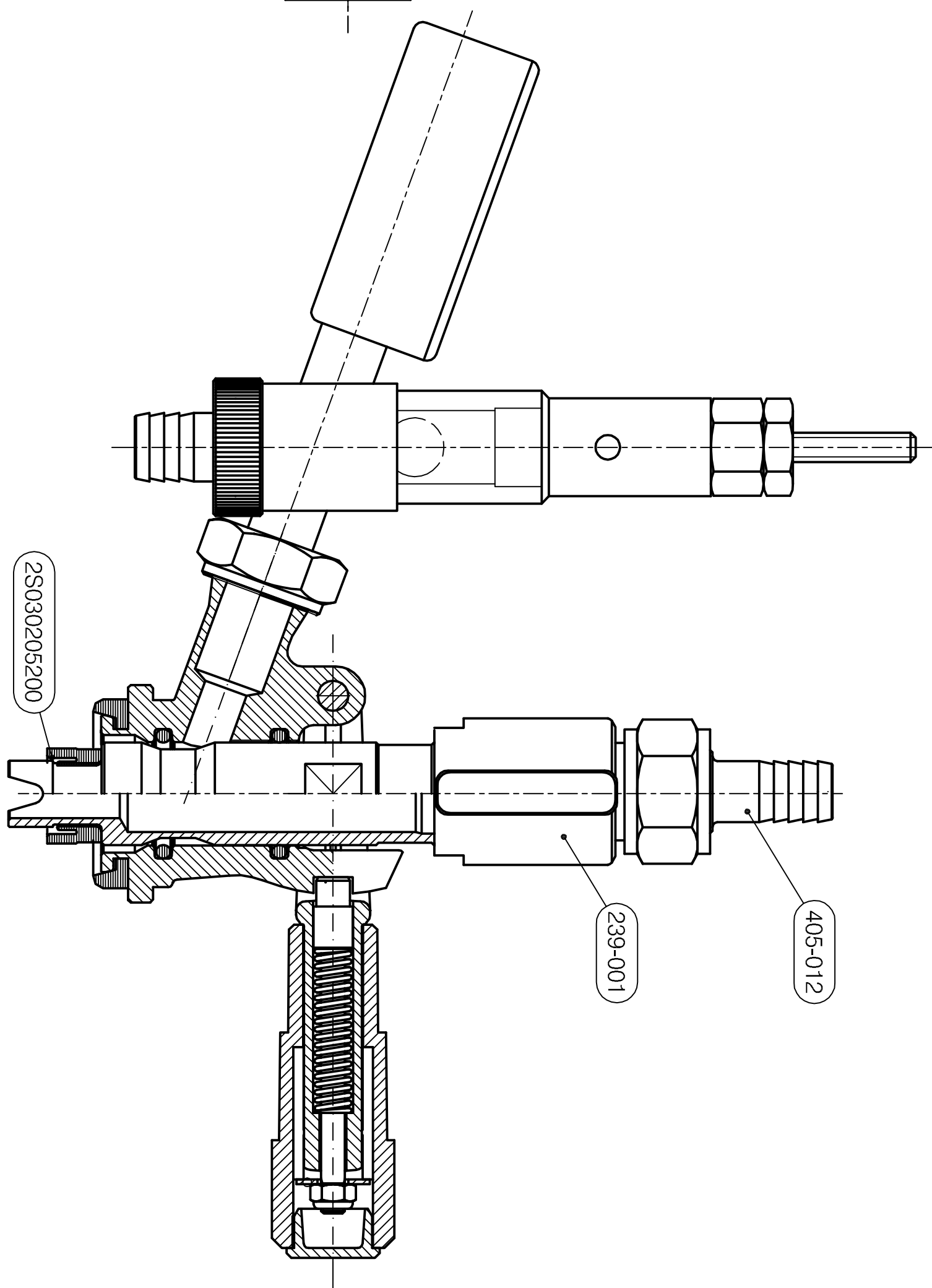
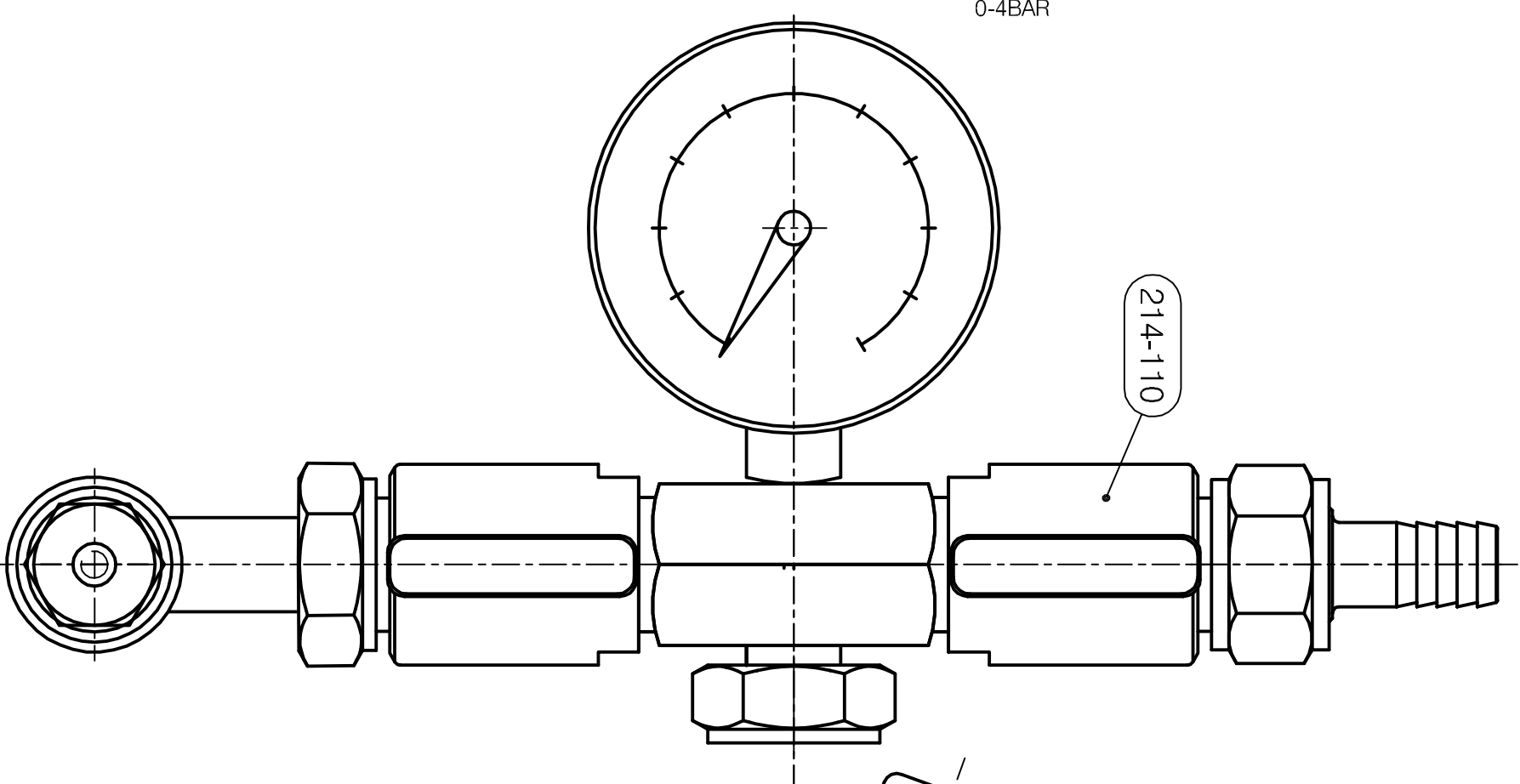


0-4BAR



KLICHENO. / LASERPROG.	PLOT DATE	DATE	NAME	CJO	SCALE
-	-	9/10/2001			1:1
MICRO MATIC		DESCRIPTION		DRW./NO. - REV.	
©		MANUELT FILLINGHEAD		214-004C1	
S-SYSTEM					
THIS DRAWING IS THE PROPERTY OF MICRO MATIC AS AND MUST NOT BE USED, DISCLOSED OR REPRODUCED WITHOUT PRIOR WRITTEN AUTHORITY.					
FILENAME W:\MDOC\Archives\PRODIKEGGV214-004.dwg					