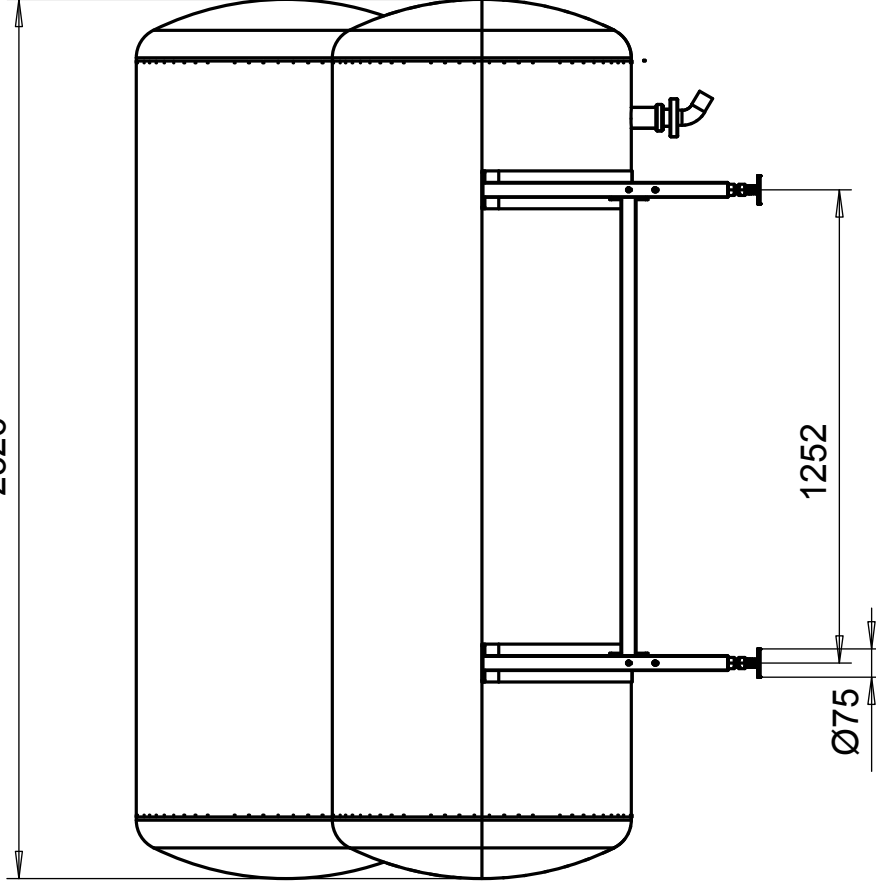
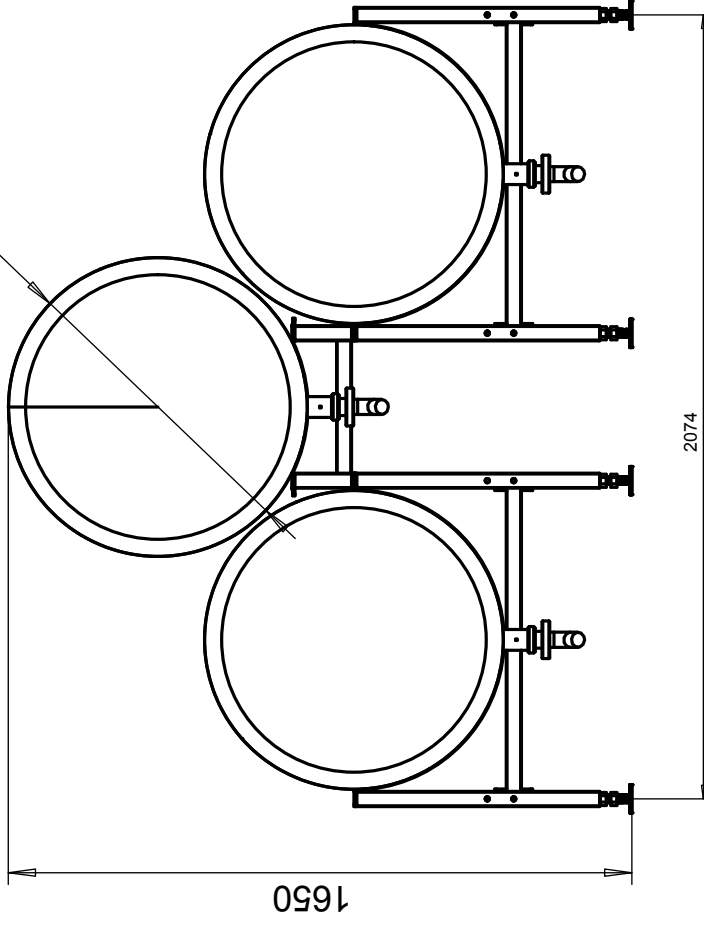


2326



Ø791



10	5890	TANKHALLARE SIEP PYRAMID	2	
9	5899	ANTISSEXTION PYRAMID	2	
4	5804	STORA TVÄRSÄCKET L=1212	4	
3	5803_B	LILLA TVÄRSÄCKET=797 (Ø) L=802	4	
1	5801	NEDRE STÖPPE E=606	8	
0	5806_SAM	JUSTERBARFOT TANKSTÄLLNING	8	
0	5805_B	TANKHALLARE SIEP	4	
0	TANK1000SAM	TANK1000SAM	3	
Part or assembly group		Standard or catalog	Amount	Material
Drawing number		Shrink, Dimension, Designation	Amount	Material
Item reference		Shrink, Dimension, Designation	Amount	Material
General tolerances		Scale	Product	
Mass		1:10	TANKSTÄLLNING 3 PYRAMID	
Design 2014-01-21		Project	TANKSTÄLLNING	
Check		Ref	PLATMEGANO	
Asc		Mark	55631_B	
Rev		Date	Prev	
Rev		Rev	Now	