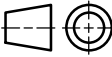


1

2

3

4



A

A

B

B

C

C

D

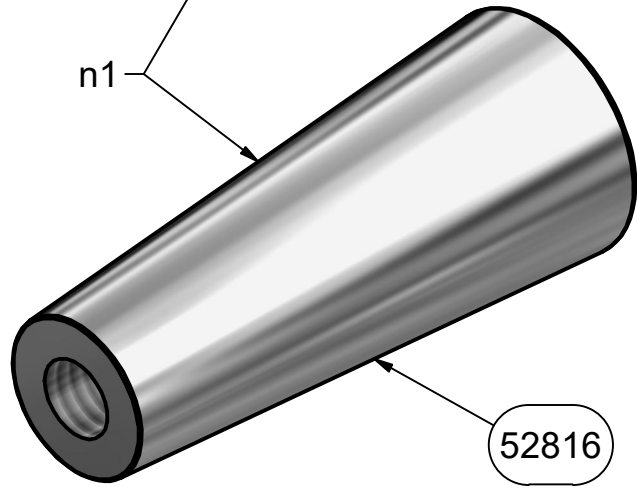
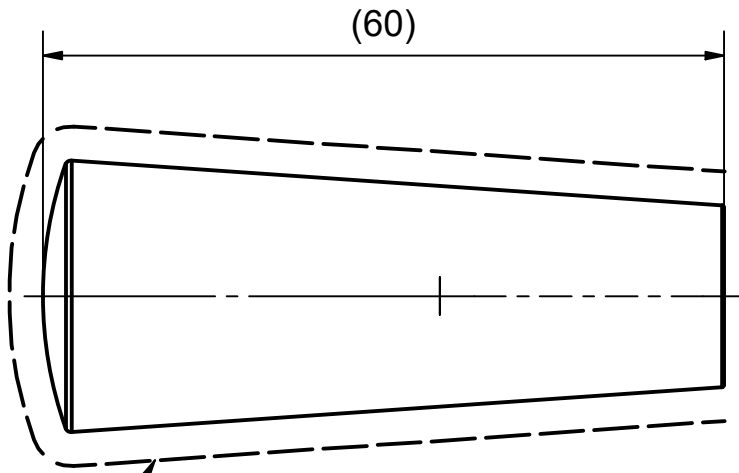
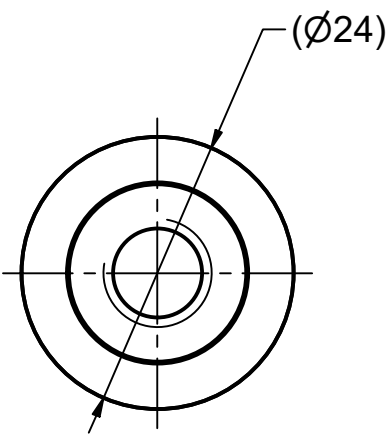
D

E

E

F

F



Treatment Surface / Specification or Colour

Chrome plating

Material Specification

MM - Aluminum

Description

Handle - Cone-shape - Chrome plated

Net Weight

48 g

Classification

Titel

Created Date

2021-04-02

Item Number

52816

Revision

C00



THIS DRAWING IS THE PROPERTY OF MICRO MATIC A/S AND MUST NOT BE USED, DISCLOSED OR REPRODUCED WITHOUT PRIOR WRITTEN AUTHORITY.

1

2

3

4